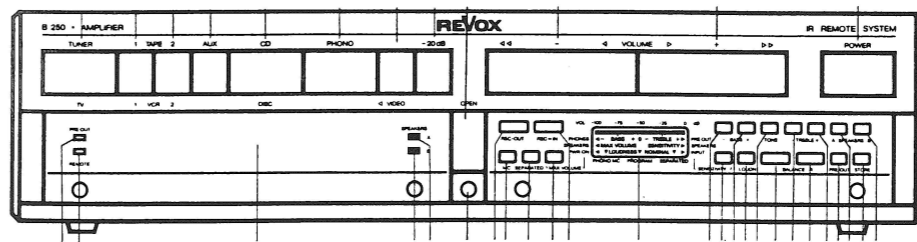


**GESAMTSCHALTBILD
COMPLETE CIRCUIT DIAGRAM
SCHÉMA GÉNÉRAL**

B250



Handling MOS components
MOS components are extremely sensitive to static charges. Please observe therefore the following regulations:

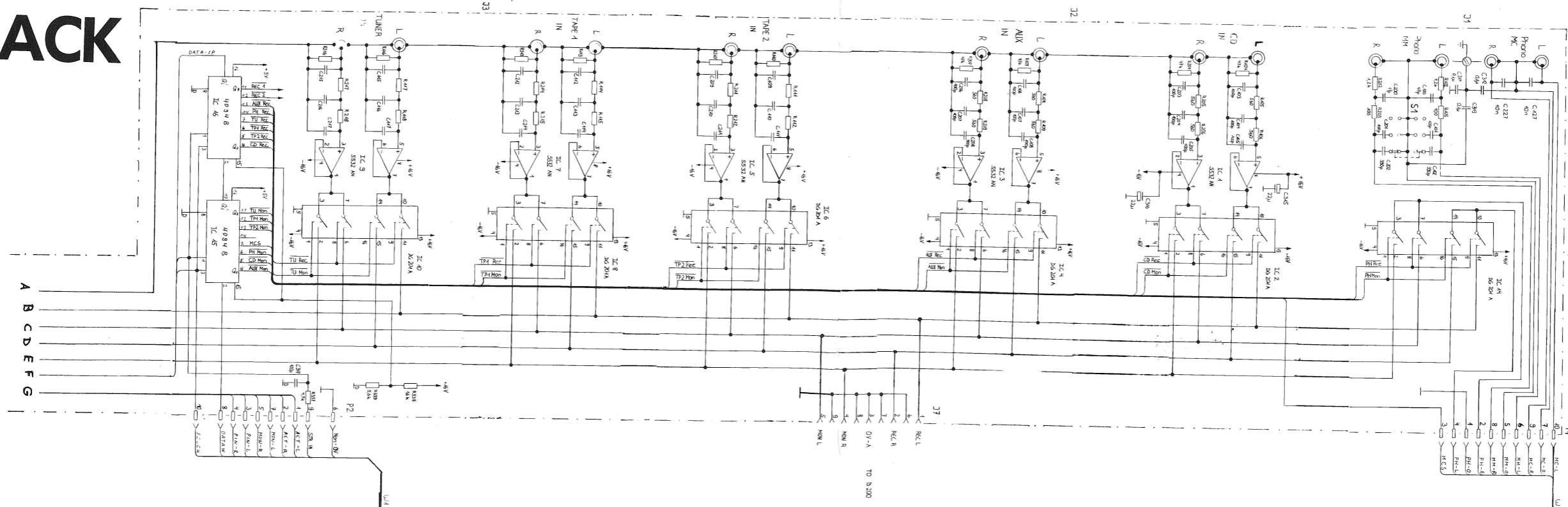
1. Components sensitive to static charges are stored and shipped in protective package. On the packages you find the subsequent symbol.
2. Avoid any contact of connector pins with foam packages and foils made of styro-por or similar chargeable package material.
3. Don't touch the connector pins when your wrist is not grounded with a conducting wristlet.
4. Use a grounded conducting mat when working with sensitive components.
5. Never plug or unplug PCBs containing sensitive components when the machine is switched on.



Subject to change
Copyright by WILLI STUDER AG
Printed in Switzerland
Order No.10.30.560 (Ed. 0286)

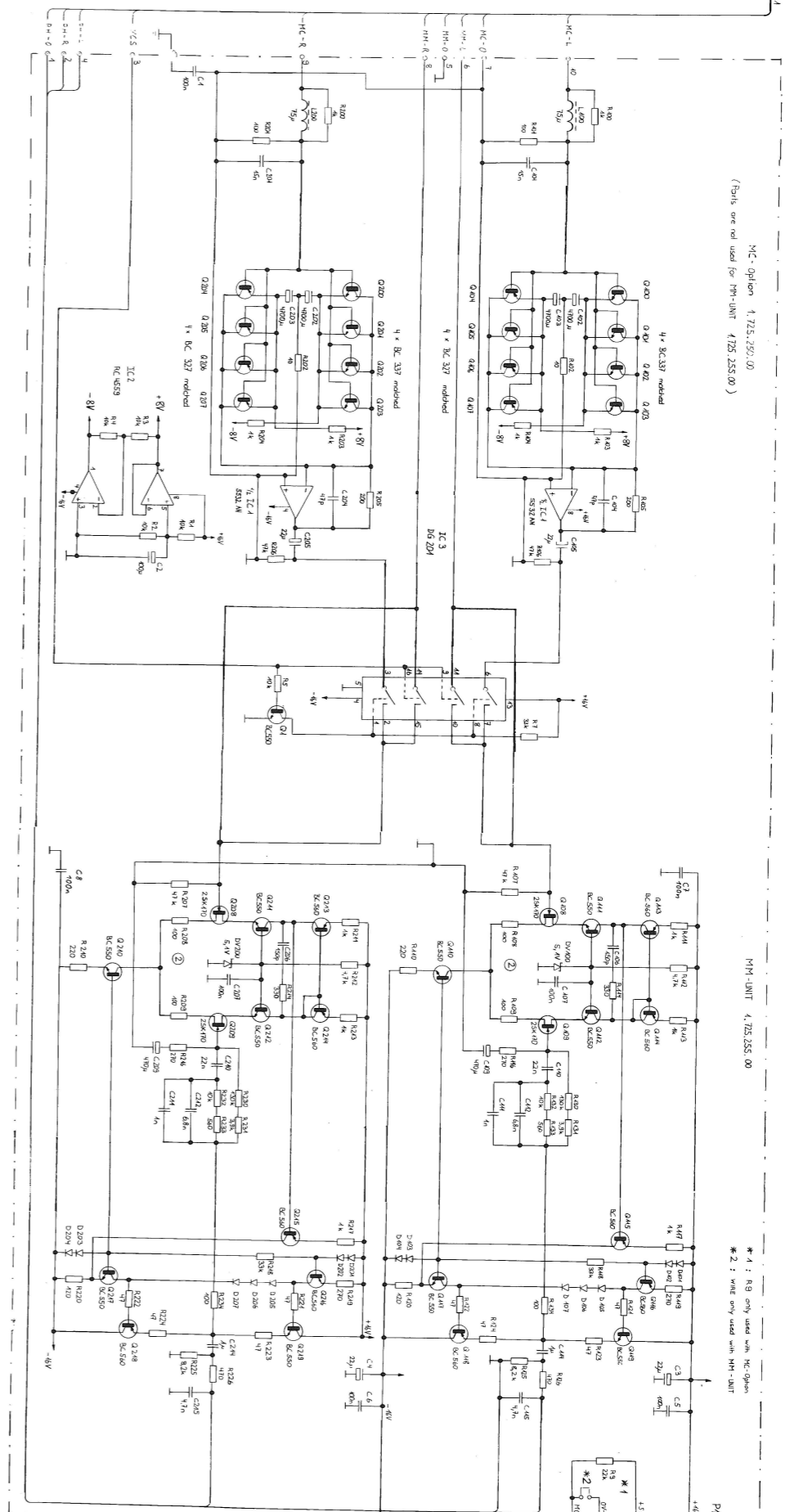
BACK

To left side



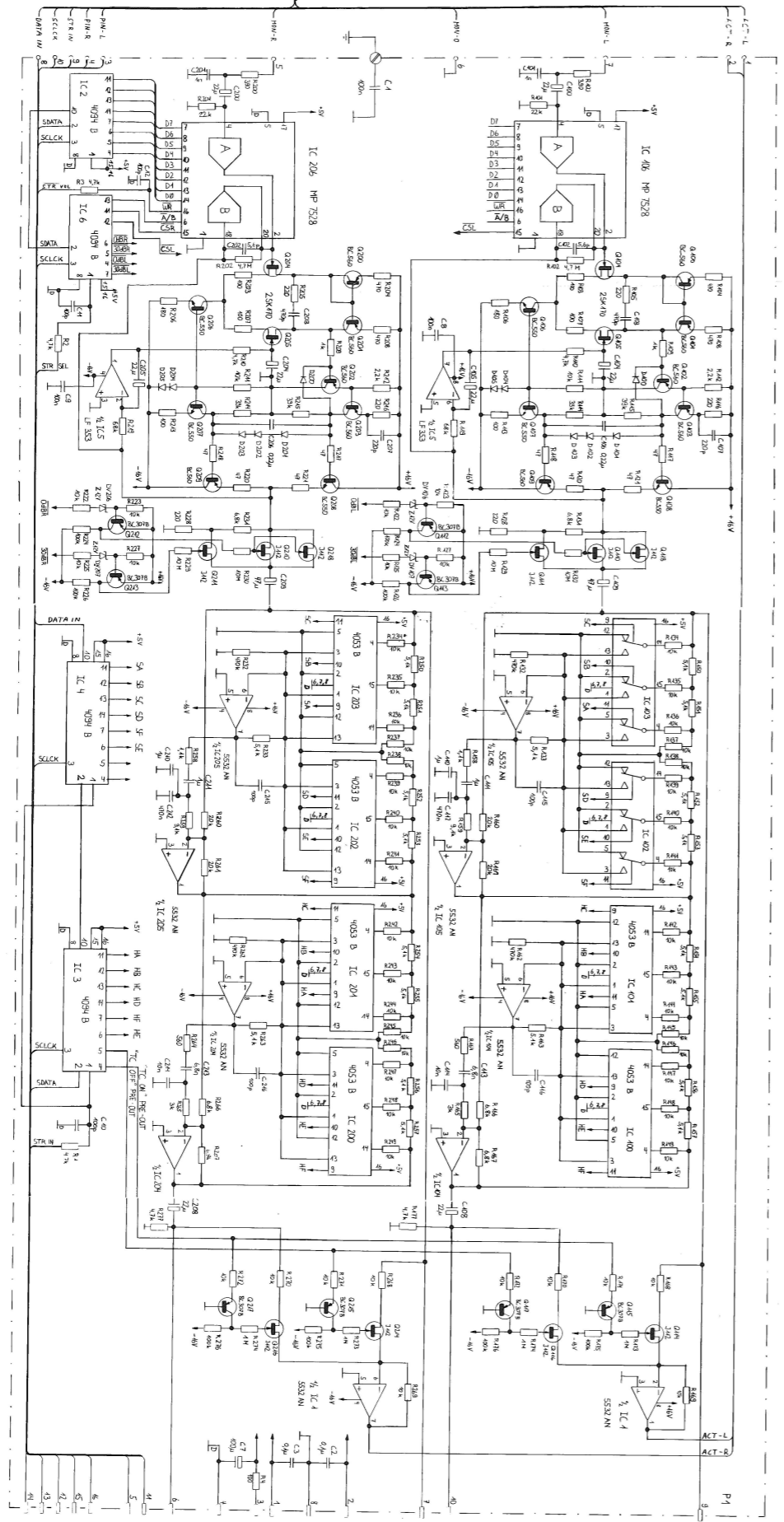
INPUT-OUTPUT UNIT
1.725.241.00

PHONO UNIT 1.725.250.00



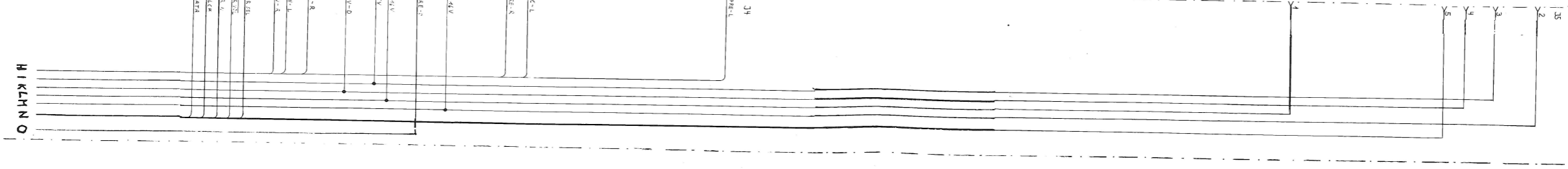
**RIGHT
SIDE**

PREAMPLIFIER 1.725.260.00



INTER CONNECTION UNIT 1.725.280.00

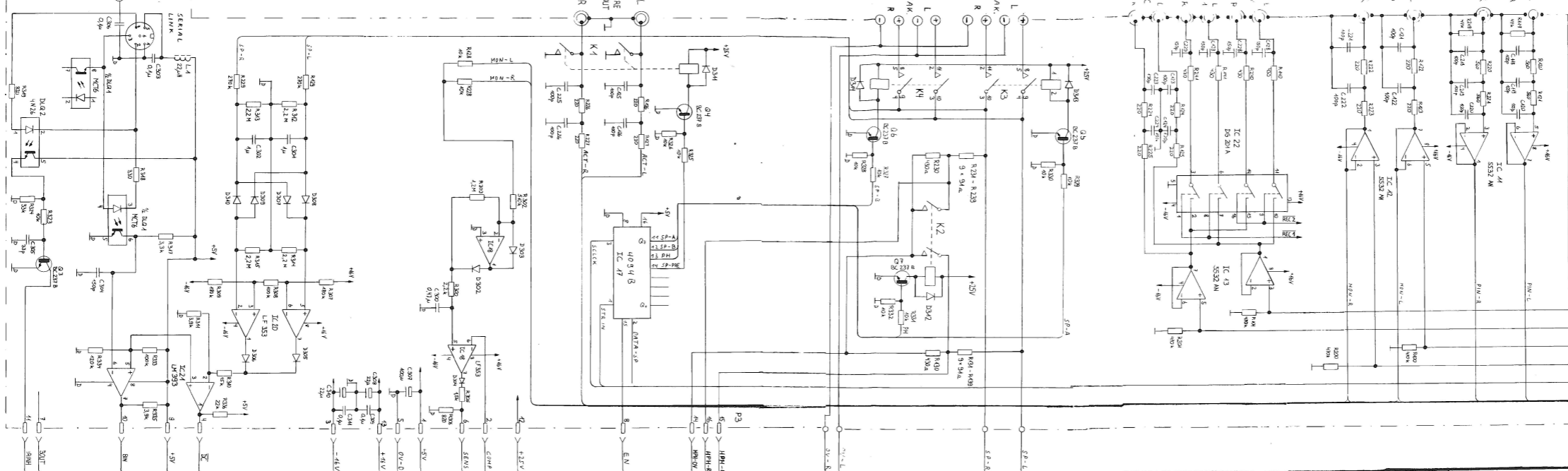
To left side



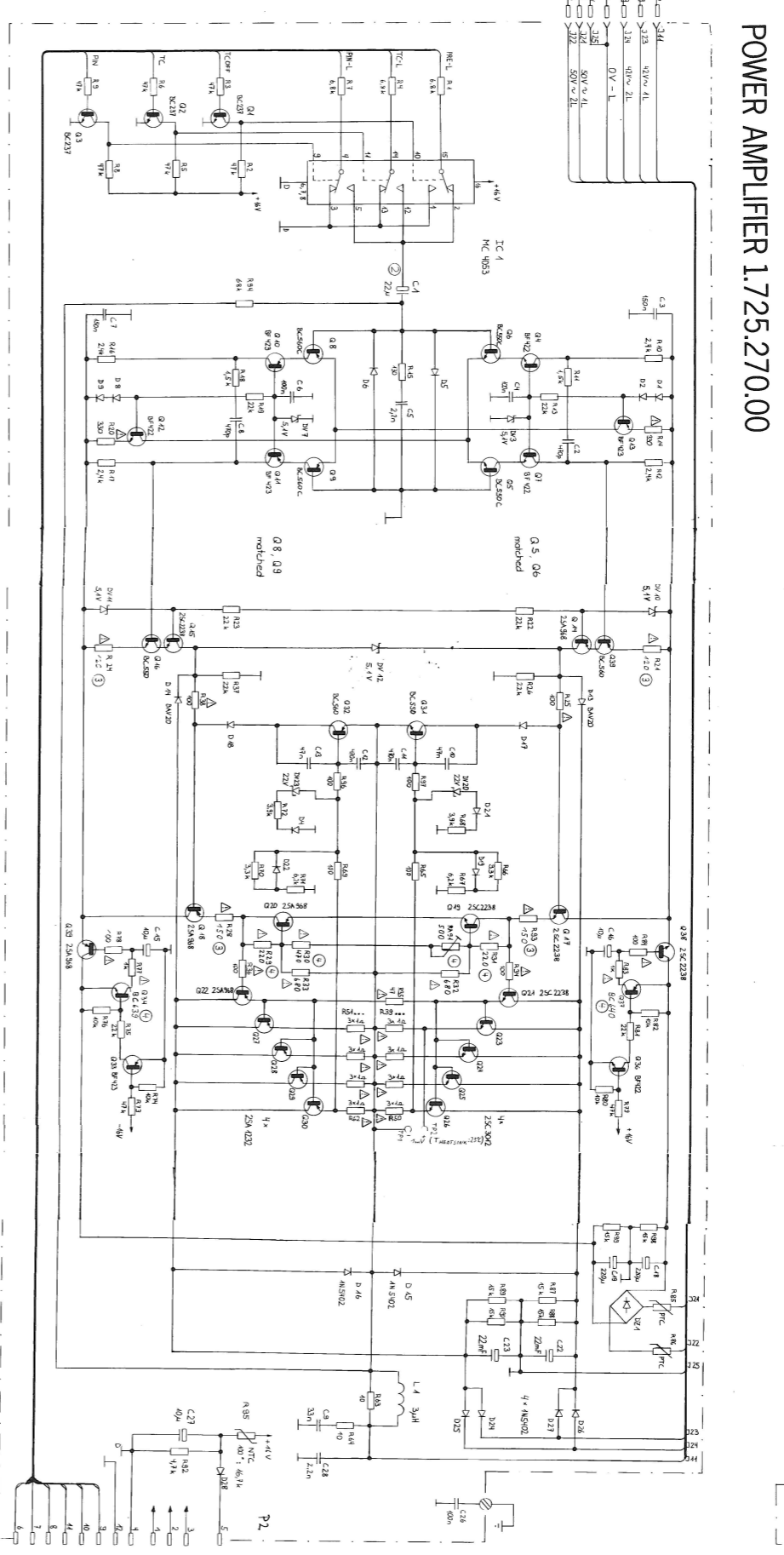
BACK

INPUT-OUTPUT UNIT
1.725.241.00

To right side

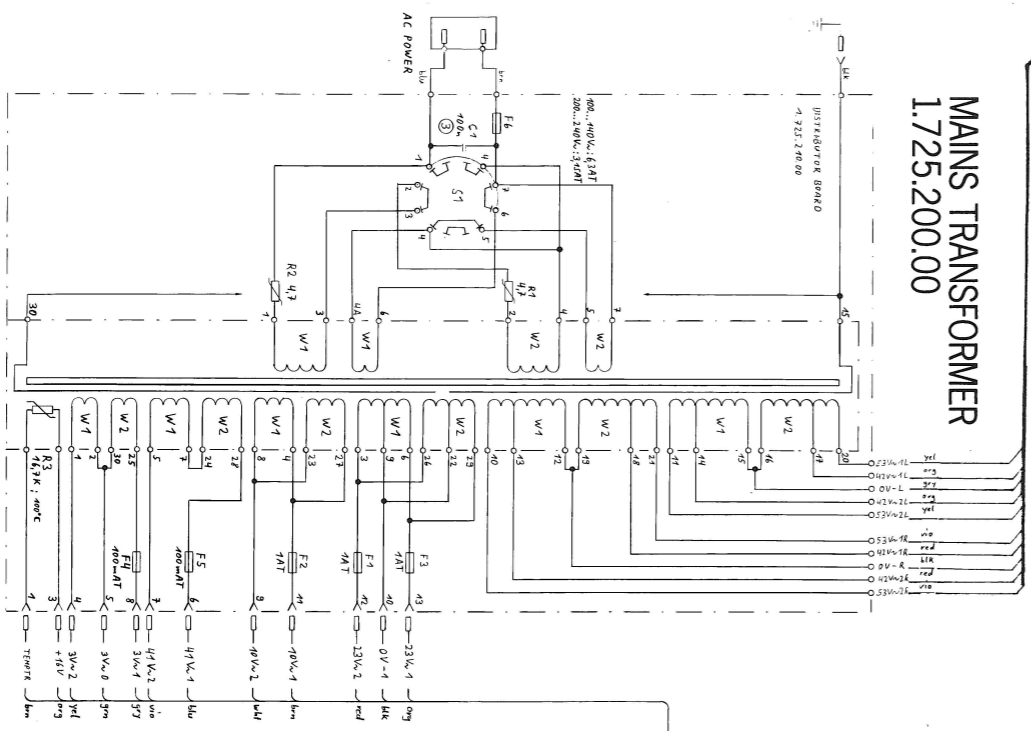


POWER AMPLIFIER 1.725.270.00

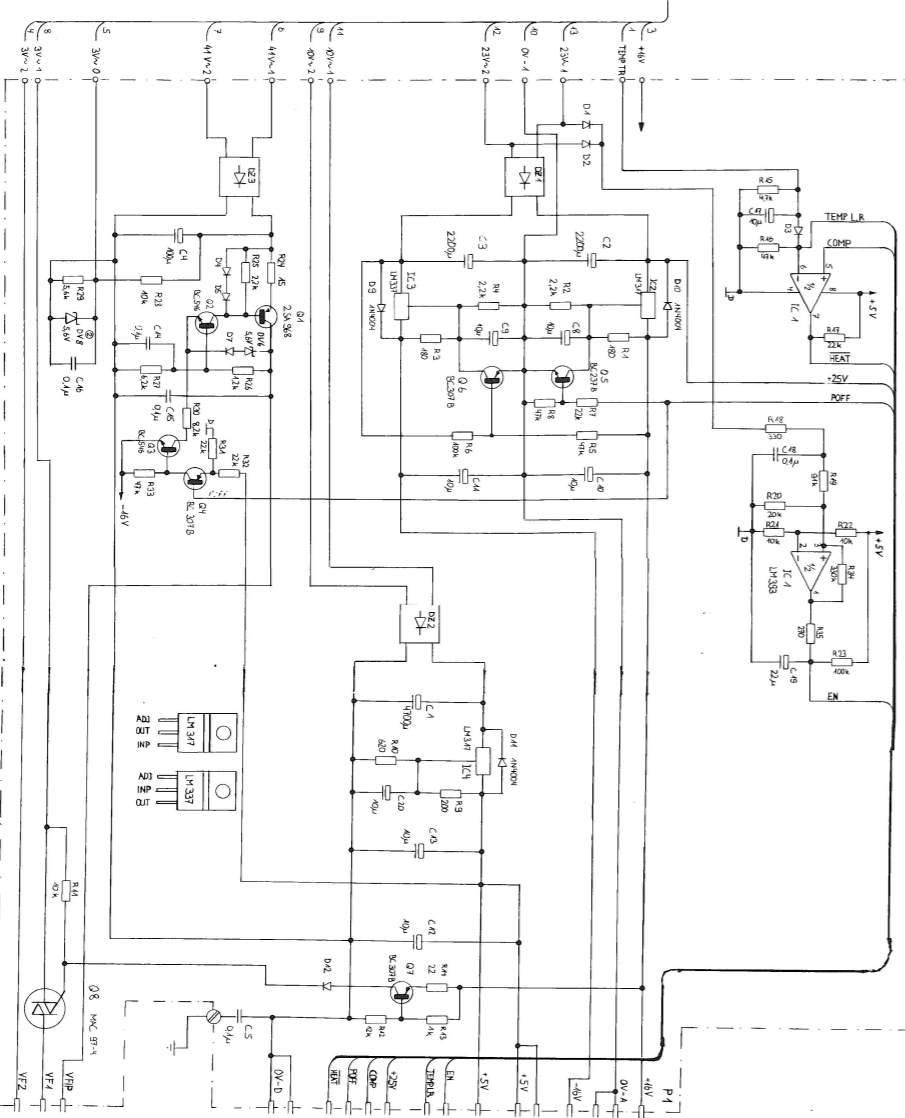


To right side

MAINS TRANSFORMER
1.725.200.00

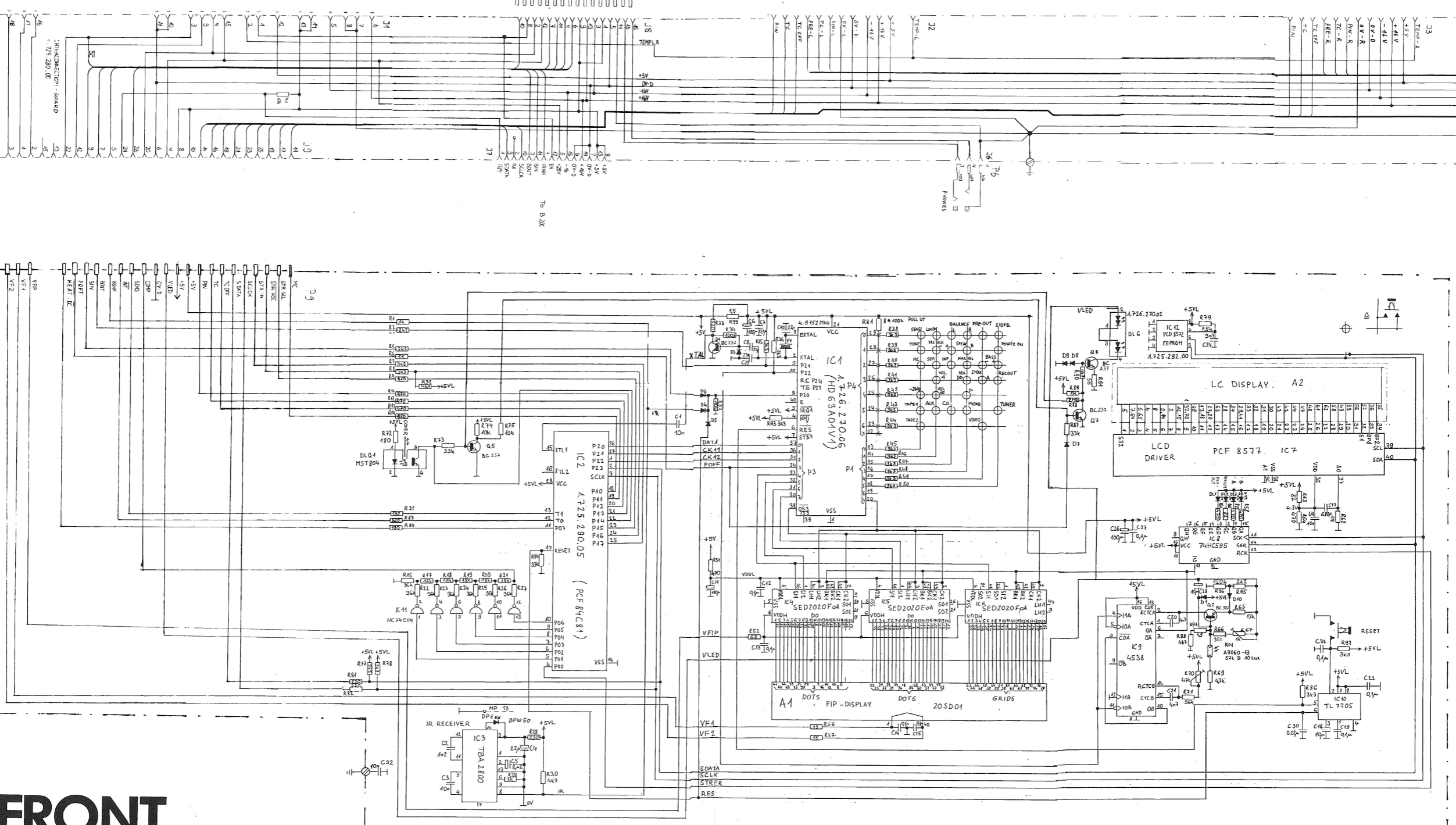


POWER SUPPLY UNIT 1.725.230.00



**LEFT
SIDE**

MICROCOMPUTER BOARD 1.725.290.00



FRONT